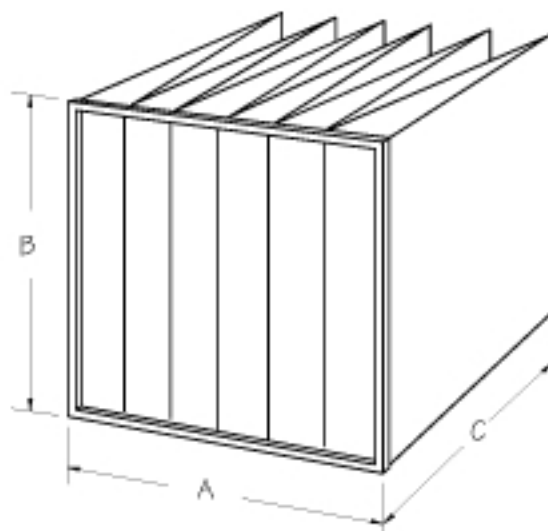


## 6 Pocket



## Reliable Air Flow Bag, 65%

### Characteristics

Media: 100% Synthetic Polypropylene Microfiber

Pockets: Ultrasonically Welded Seams & Edges

Pocket Flutes: Ultrasonically Welded Support Spacers

Header: Electro-Galvanized Metal Header and "J" Style Media Retainers

### Air Flow Bag 65% - 6 Pocket

Model Number	Width "A"	Height "B"	Depth "C"	Number of Pockets	Air Flow Capacity (cfm)	Initial Resistance ("w.g.)
AFB665S-4430	23-3/8"	23-3/8"	30"	6	1500	.21
AFB665S-4426	23-3/8"	23-3/8"	26"	6	1500	.22
AFB665S-4422	23-3/8"	23-3/8"	22"	6	1250	.21
AFB665S-4415	23-3/8"	23-3/8"	15"	6	750	.21
AFB565S-0430	19-3/8"	23-3/8"	30"	5	1250	.21
AFB565S-0426	19-3/8"	23-3/8"	26"	5	1250	.22
AFB565S-0422	19-3/8"	23-3/8"	22"	5	1050	.21
AFB565S-0415	19-3/8"	23-3/8"	15"	5	625	.21
AFB365S-2430	11-3/8"	23-3/8"	30"	3	750	.21
AFB365S-2426	11-3/8"	23-3/8"	26"	3	750	.22
AFB365S-2422	11-3/8"	23-3/8"	22"	3	625	.21
AFB365S-2415	11-3/8"	23-3/8"	15"	3	375	.21

### Notes:

Standard: UL 900, Class 2

Available with the following  
gasketing options:

GU - Gasket Upstream

GD - Gasket Downstream

GS - Gasket Sides

Other Options:

C - Cambridge Header

-1 - UL 900, Class 1

An example of the part number  
with options is: AFB665S-4430GU

## DAYTON RELIABLE AIR FILTER

2294 N. Moraine Dr.  
Dayton, Ohio 45439  
1-800-699-0747



Air Flow Bag 65%, MERV 11  
6 Pocket

Date	Part Number	Revision
Approved	AFB665S	