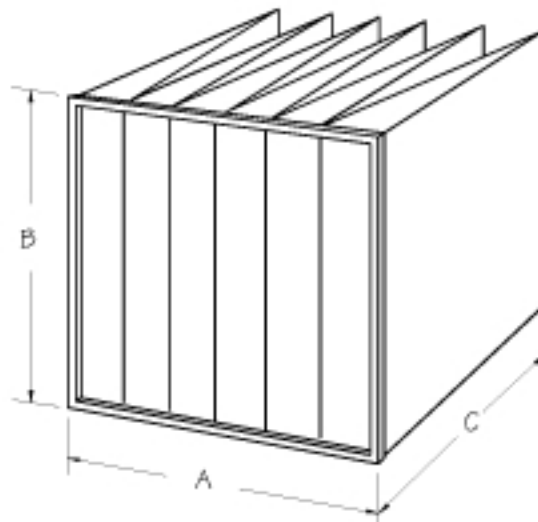


6 Pocket



Reliable Air Flow Bag, 85%

Characteristics

Media: 100% Synthetic Polypropylene Microfiber

Pockets: Ultrasonically Welded Seams & Edges

Pocket Flutes: Ultrasonically Welded Support Spacers

Header: Electro-Galvanized Metal Header and "J" Style Media Retainers

Air Flow Bag 85% - 6 Pocket

| Model Number | Width "A" | Height "B" | Depth "C" | Number of Pockets | Air Flow Capacity (cfm) | Initial Resistance ("w.g.) |
|--------------|--------------|---------------|--------------|----------------------|-------------------------------|----------------------------------|
| AFB685S-4430 | 23-3/8" | 23-3/8" | 30" | 6 | 1500 | .25 |
| AFB685S-4426 | 23-3/8" | 23-3/8" | 26" | 6 | 1500 | .27 |
| AFB685S-4422 | 23-3/8" | 23-3/8" | 22" | 6 | 1250 | .25 |
| AFB685S-4415 | 23-3/8" | 23-3/8" | 15" | 6 | 750 | .25 |
| AFB585S-0430 | 19-3/8" | 23-3/8" | 30" | 5 | 1250 | .25 |
| AFB585S-0426 | 19-3/8" | 23-3/8" | 26" | 5 | 1250 | .27 |
| AFB585S-0422 | 19-3/8" | 23-3/8" | 22" | 5 | 1050 | .25 |
| AFB585S-0415 | 19-3/8" | 23-3/8" | 15" | 5 | 625 | .25 |
| AFB385S-2430 | 11-3/8" | 23-3/8" | 30" | 3 | 750 | .25 |
| AFB385S-2426 | 11-3/8" | 23-3/8" | 26" | 3 | 750 | .27 |
| AFB385S-2422 | 11-3/8" | 23-3/8" | 22" | 3 | 625 | .25 |
| AFB385S-2415 | 11-3/8" | 23-3/8" | 15" | 3 | 375 | .25 |

Notes:

Standard: UL 900, Class 2

Available with the following
gasketing options:

- GU - Gasket Upstream
- GD - Gasket Downstream
- GS - Gasket Sides

Other Options:

- C - Cambridge Header
- 1 - UL 900, Class 1

An example of the part number
with options is: AFB685S-4430GU

DAYTON RELIABLE AIR FILTER

2294 N. Moraine Dr.
Dayton, Ohio 45439
1-800-699-0747



Air Flow Bag 85%, MERV 13
6 Pocket

| | | |
|----------|-------------|----------|
| Date | Part Number | Revision |
| Approved | AFB685S | |