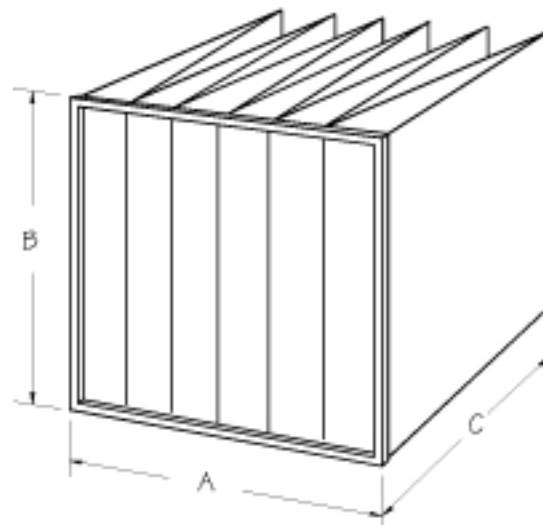


6 Pocket



Reliable Air Flow Bag, 95%

Characteristics

Media: 100% Synthetic Polypropylene Microfiber

Pockets: Ultrasonically Welded Seams & Edges

Pocket Flutes: Ultrasonically Welded Support Spacers

Header: Electro-Galvanized Metal Header and "J" Style Media Retainers

Air Flow Bag 95% - 6 Pocket

Model Number	Width "A"	Height "B"	Depth "C"	Number of Pockets	Air Flow Capacity (cfm)	Initial Resistance ("w.g.)
AFB695S-4430	23-3/8"	23-3/8"	30"	6	1500	.36
AFB695S-4426	23-3/8"	23-3/8"	26"	6	1500	.38
AFB695S-4422	23-3/8"	23-3/8"	22"	6	1250	.36
AFB695S-4415	23-3/8"	23-3/8"	15"	6	750	.36
AFB595S-0430	19-3/8"	23-3/8"	30"	5	1250	.36
AFB595S-0426	19-3/8"	23-3/8"	26"	5	1250	.38
AFB595S-0422	19-3/8"	23-3/8"	22"	5	1050	.36
AFB595S-0415	19-3/8"	23-3/8"	15"	5	625	.36
AFB395S-2430	11-3/8"	23-3/8"	30"	3	750	.36
AFB395S-2426	11-3/8"	23-3/8"	26"	3	750	.38
AFB395S-2422	11-3/8"	23-3/8"	22"	3	625	.36
AFB395S-2415	11-3/8"	23-3/8"	15"	3	375	.36

Notes:

Standard: UL 900, Class 2

Available with the following gasketing options:

- GU - Gasket Upstream
- GD - Gasket Downstream
- GS - Gasket Sides

Other Options:

- C - Cambridge Header
- 1 - UL 900, Class 1

An example of the part number with options is: AFB695S-4430GU

DAYTON RELIABLE AIR FILTER

2294 N. Moraine Dr.
Dayton, Ohio 45439
1-800-699-0747



Air Flow Bag 95%, MERV 14
6 Pocket

Date	Part Number AFB695S	Revision
Approved		